

Pavo 2" Arrays

SIP12423 2.00 in

JOB NAME:

TYPE:

NOTES:

DESCRIPTION

Create a striking visual accent with this slim 2" diameter pendant. Even illumination (top to bottom and radially) and well-finished ends satisfy the highest-end applications. Hang individually or design an array for a dramatic visual statement. Available in a wide range of sizes, from 6" to 8' long.

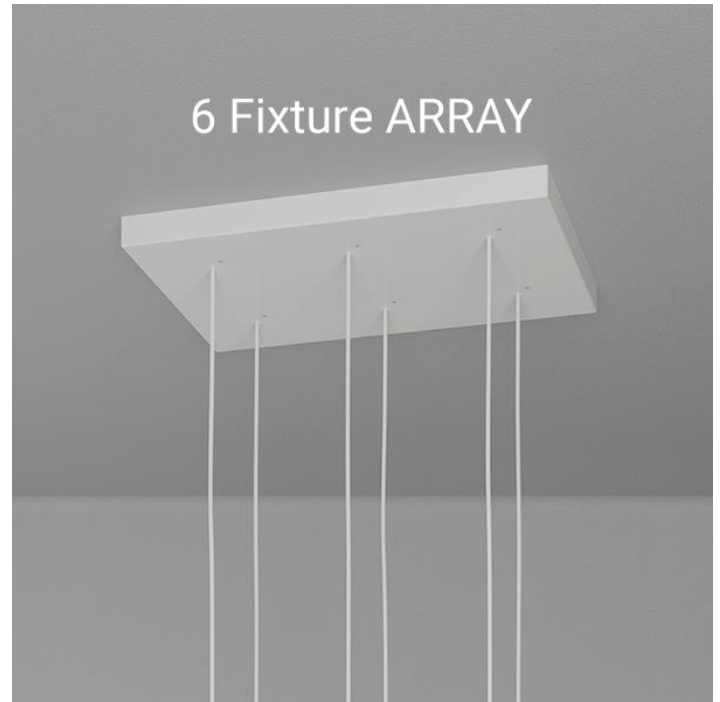
6 FIXTURE ARRAY

FEATURES & BENEFITS

- Linearly-lit pendant provides even 360° illumination along the entire length of the lens
- Meticulously designed ends have no visible shadowing
- Contact factory for multi-unit arrays on a single canopy
- Handcrafted in USA. BABA Compliant

SPECIFICATIONS

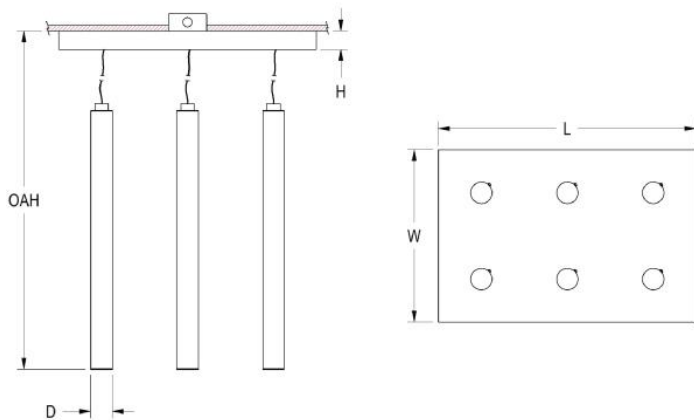
- **LIGHT SOURCE:** White LED light engine
- **CRI:** 90+
- **LUMEN MAINTENANCE:** L70 = >50,000 Hrs.
- **EFFICACY:** up to 92 lm/W delivered
- **CCT:** 2700K, 3000K, 3500K, 4000K or 5000K
- **VOLTAGE:** 120-277V standard
- **DRIVER:** Class 2 power supply integrated in canopy standard; remote optional. Max distance to the driver (including OAH) is: #18 AWG = 50', #16 AWG = 75', #14 AWG = 100'. For extended distances, contact factory.
- **DIMMING:** 1% minimum dim level standard
- **CONTROLS:** 0-10V standard. Lutron Athena, Current NX, and nLight AIR optional. Contact factory for other controls (e.g., Enlighted, Encelium, Wattstopper, WaveLinx, or Casambi)
- **EMERGENCY:** Remote battery option is provided with 10W Constant Power Battery back-up, providing 90 minutes of Emergency operation. Contact factory for other Emergency options.
- **INTEGRATED SURGE PROTECTION:** LED components are



protected against minor surge events

- **DIFFUSER:** White matte acrylic diffuser standard; white gloss acrylic diffuser also available
- **CONSTRUCTION:** Acrylic tube with aluminum end caps. Stress relief camouflage finished to match.
- **FINISH:** Solid flat end plates, stress relief camouflage, and mounting components finished to match. To specify separately, contact factory. Choose from 26 standard thermoset polyester powder coat paint colors or various metal finishes. RAL®, Pantone®, or custom finishes available upon request.
- **MODIFICATIONS:** Consult factory for all modification requests; including different sizes or clusters
- **APPROVALS:** ETL listed to UL standards (US & Canada) for use in damp locations; not recommended for exterior applications

DIMENSIONS



1FT	W	L	H	D	OAH
	16 in 40.6 cm	24 in 61 cm	1.8 in 4.4 cm	2 in 5.1 cm	60 in 152.4 cm

Mounting Weight: Approximate: 30 lb (14 kg)

2FT	W	L	H	D	OAH
	16 in 40.6 cm	24 in 61 cm	1.8 in 4.4 cm	2 in 5.1 cm	72 in 182.9 cm

Mounting Weight: Approximate: 30 lb (14 kg)

3FT	W	L	H	D	OAH
	16 in 40.6 cm	24 in 61 cm	1.8 in 4.4 cm	2 in 5.1 cm	84 in 213.4 cm

Mounting Weight: Approximate: 30 lb (14 kg)

4FT	W	L	H	D	OAH
	16 in 40.6 cm	24 in 61 cm	1.8 in 4.4 cm	2 in 5.1 cm	96 in 243.8 cm

Mounting Weight: Approximate: 30 lb (14 kg)

6FT	W	L	H	D	OAH
	16 in 40.6 cm	24 in 61 cm	1.8 in 4.4 cm	2 in 5.1 cm	120 in 304.8 cm

Mounting Weight: Approximate: 60 lb (28 kg)

8FT	W	L	H	D	OAH
	16 in 40.6 cm	24 in 61 cm	1.8 in 4.4 cm	2 in 5.1 cm	144 in 365.8 cm

Mounting Weight: Approximate: 60 lb (28 kg)

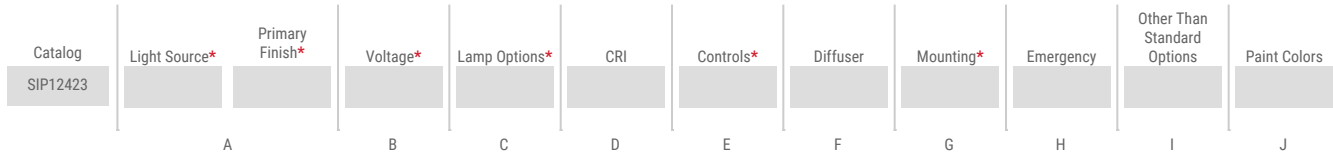
1/2FT	W	L	H	D	OAH
	16 in 40.6 cm	24 in 61 cm	1.8 in 4.4 cm	2 in 5.1 cm	54 in 137.2 cm

Mounting Weight: Approximate: 30 lb (14 kg)

CONFIGURATOR

To configure your spec sheet online, go to www.spilighting.com/SIP12423. Not all options are available in all configurations; consult factory for details.

Required Field *



A - LIGHT SOURCE *

To ensure color consistency, SPI uses precise bin selection and strict quality processes to maintain a 3-step (MacAdam) SDCM on all white LED lampings. Published LED luminaire wattages are calculated using a typical power supply efficiency of 88%; exact wattages may vary based on application. Alternative wattages available upon request. Paint color selected is for the fixture endcaps and canopy. To ensure color consistency, SPI uses precise bin selection and strict quality processes to maintain a 3-step (MacAdam) SDCM on all white LED lampings. Published LED luminaire wattages are calculated using a typical power supply efficiency of 88%; exact wattages may vary based on application. Alternative wattages available upon request. Paint color selected is for the fixture endcaps and canopy. To ensure color consistency, SPI uses precise bin selection and strict quality processes to maintain a 3-step (MacAdam) SDCM on all white LED lampings. Published LED luminaire wattages are calculated using a typical power supply efficiency of 88%; exact wattages may vary based on application. Alternative wattages available upon request. Paint color selected is for the fixture endcaps and canopy.

1/2 FOOT NOMINAL FIXTURE

(6) **1/2FT - L8W** | 6-1/2FT-L8W | Delivered Lumens: 4,458

1 FOOT NOMINAL FIXTURE

(6) **1FT - L8W** | White 8W LED Light Engine | Delivered Lumens: 4,458

2 FOOT NOMINAL FIXTURE

(6) **2FT - L8W** | White 8W LED Light Engine | Delivered Lumens: 4,458

(6) **2FT - L16W** | White 16W LED Light Engine | Delivered Lumens: 8,916

3 FOOT NOMINAL FIXTURE

(6) **3FT - L12W** | White 12W LED Light Engine | Delivered Lumens: 6,690

(6) **3FT - L24W** | White 24W LED Light Engine | Delivered Lumens: 13,380

4 FOOT NOMINAL FIXTURE

(6) **4FT - L16W** | White 16W LED Light Engine | Delivered Lumens: 8,916

(6) **4FT - L32W** | White 32W LED Light Engine | Delivered Lumens: 17,838

6 FOOT NOMINAL FIXTURE

(6) **6FT - L24W** | White 24W LED Light Engine | Delivered Lumens: 13,380

(6) **6FT - L48W** | White 48W LED Light Engine | Delivered Lumens: 26,754

8 FOOT NOMINAL FIXTURE

(6) **8FT - L32W** | White 32W LED Light Engine

(6) **8FT - L65W** | White 65W LED Light Engine | Delivered Lumens: 36,234

See last page for finish options

B - VOLTAGE *

- 120-277V | Universal Voltage

C - LAMP OPTIONS *

Apply multiplier from chart for delivered lumens at other CCT's and CRI's.

- 2700K | 2700K CCT
- 3000K | 3000K CCT
- 3500K | 3500K CCT
- 4000K | 4000K CCT
- 5000K | 5000K CCT

D - CRI

- DF_80 | (default)
- 90

E - CONTROLS *

Extended lead times may apply for controls other than 0-10V. Contact factory for additional control options such as Enlighted, Encelium, Wattstopper, WaveLinx, Casambi, or others.

- DF_DIM1 | 0-10V Control, 1% Dimming (default)
- NX | Current NX Wireless, 1% Dimming
- AWRN | Lutron Athena Wireless Node, 1% Dimming
- NLTA | Acuity nLight Air, 1% Dimming

F - DIFFUSER

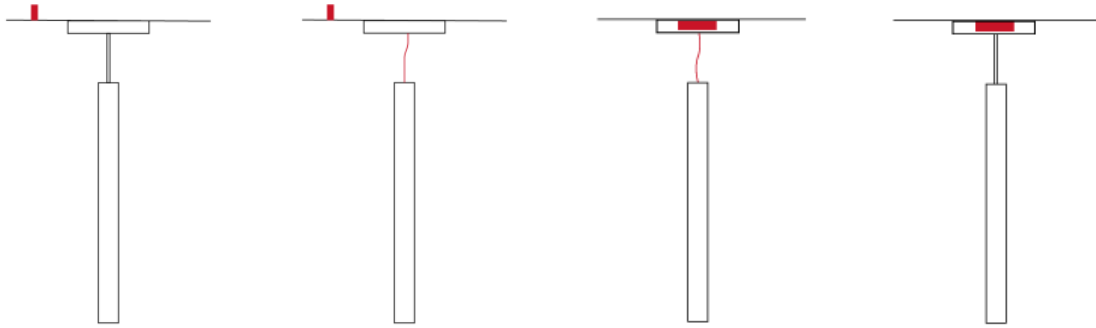
- DF_MA01 | Matte Acrylic Diffuser Lens (default)
- HP03- 1' | Amber Hand Painted Acrylic Diffuser
- HP03- 1/2' | Amber Hand Painted Acrylic Diffuser
- HP03- 2' | Amber Hand Painted Acrylic Diffuser
- HP03- 3' | Amber Hand Painted Acrylic Diffuser
- HP03- 4' | Amber Hand Painted Acrylic Diffuser
- HP03- 6' | Amber Hand Painted Acrylic Diffuser
- HP03- 8' | Amber Hand Painted Acrylic Diffuser
- HP02- 1' | Beige Hand Painted Acrylic Diffuser
- HP02- 1/2' | Beige Hand Painted Acrylic Diffuser
- HP02- 2' | Beige Hand Painted Acrylic Diffuser
- HP02- 3' | Beige Hand Painted Acrylic Diffuser
- HP02- 4' | Beige Hand Painted Acrylic Diffuser
- HP02- 6' | Beige Hand Painted Acrylic Diffuser
- HP02- 8' | Beige Hand Painted Acrylic Diffuser
- HP01- 1' | Silver Hand Painted Acrylic Diffuser
- HP01- 1/2' | Silver Hand Painted Acrylic Diffuser
- HP01- 2' | Silver Hand Painted Acrylic Diffuser
- HP01- 3' | Silver Hand Painted Acrylic Diffuser
- HP01- 4' | Silver Hand Painted Acrylic Diffuser
- HP01- 8' | Silver Hand Painted Acrylic Diffuser
- OA | White Gloss Acrylic Diffuser



G - MOUNTING *

Mounts to a standard 4" octagonal junction box. The PSC and CAC mountings utilize a white power cord. The CAS mounting has a 22.5° swivel and the PSS mounting swivels 45°.

- CAS | Canopy & Stem, Remote Supply
- CAC | Power Cord Suspension with Remote Power Supply & Canopy
- DF_PSC | Power Supply Canopy with Cord Suspension (default)
- PSS | Power Supply Canopy & Stem



CAS CAC DF_PSC PSS

H - EMERGENCY

10W, Constant Power Battery Back-up, with 90 minutes of emergency operation. EMR includes damp location enclosure for Battery back-up.

EMR | Emergency Battery Remote

I - OTHER THAN STANDARD OPTIONS

Specify overall height required from ceiling to the bottom of the fixture. For varying stem length on an Array, please contact factory.

OAH | Pendant suspension length other than standard Length:

Standard Finishes

The colors shown are representative. Their actual appearance may vary due to differences in display settings. You can request color chips by emailing contact@spilighting.com. Please note, finishes may not be available in all configurations.

Paint Colors

PT01 RAL9003 Signal White (Gloss)	PT51 Matte White (Textured)	PT02 White (Textured)	PT04 RAL9001 Cream (Textured)	PT67 RAL7044 Silk Grey (Textured)
PT53 RAL7035 Light Grey (Textured)	PT54 RAL7037 Dusty Grey (Textured)	PT55 RAL7012 Basalt Grey (Textured)	PT56 RAL7016 Anthracite Grey (Textured)	PT11 Black (Textured)
PT57 RAL1015 Light Ivory (Textured)	PT58 RAL8004 Copper Brown (Textured)	PT59 RAL6021 Pale Green (Textured)	PT60 RAL1019 Grey Beige (Textured)	PT61 RAL7006 Beige Grey (Textured)
PT62 RAL1003 Signal Yellow (Textured)	PT63 RAL3001 Signal Red (Textured)	PT64 RAL6001 Emerald Green (Textured)	PT65 RAL5005 Signal Blue (Textured)	PT66 RAL5003 Sapphire Blue (Textured)

Metallic Paint Colors

PT22 Platinum (Metallic Gloss)	PT48 Brass (Metallic Textured)	PT28 Dark Stainless (Metallic Gloss)	PT49 Bronze (Metallic Textured)	PT32 Dark Bronze (Metallic Gloss)
PT46 Aluminum (Metallic Textured)				

Brushed Aluminum

BAL Brushed Aluminum	MAL Microbrushed Aluminum
--------------------------------	-------------------------------------

Specialty Finishes



More RAL®, Pantone®, and custom finishes are available upon request. Setup fee and additional lead time applies. Call factory for details.